



**Data Sheet**



Product Category: IF SAW Filter

Part Number  
819-IF380.0M-A

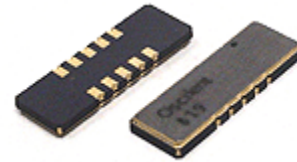
Package  
19 x 6.5 SMD

Application  
HDR & IMT-2000

Last Modified  
May 22 2003

**TYPE :**

380.0 MHz Bandpass Filter  
4.30 MHz Bandwidth

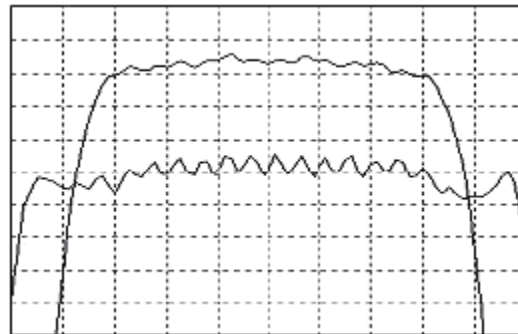


**PART NUMBER :**

**819-IF380.0M-A**



Horizontal : 1.5 MHz/Div  
Vertical : 10 dB/Div



Horizontal : 0.6 MHz/Div  
Vertical : 1 dB/Div  
Vertical : 100 ns/Div

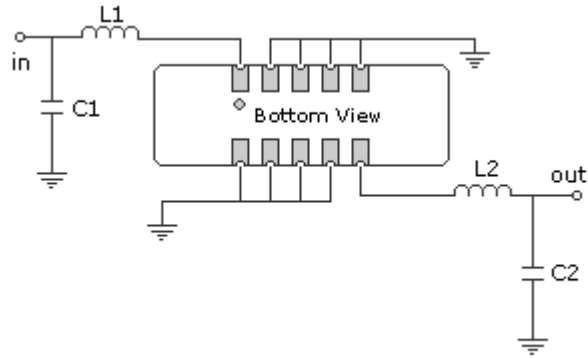
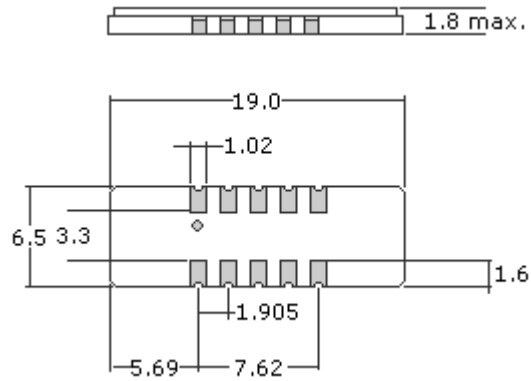
**OPERATING CONDITIONS / ELECTRICAL CHARACTERISTICS**

| PARAMETERS            | Minimum | Typical | Maximum | Units |
|-----------------------|---------|---------|---------|-------|
| Center Frequency      | 379.80  | 380.00  | 380.20  | MHz   |
| Insertion Loss        | -       | 20.5    | 23.0    | dB    |
| 1dB Bandwidth         | 4.0     | 4.02    | -       | MHz   |
| 3dB Bandwidth         | 4.3     | 4.46    | -       | MHz   |
| 40dB Bandwidth        | -       | 6.2     | 6.5     | MHz   |
| Passband Ripple       | -       | 0.70    | 1.0     | dB    |
| Group Delay Variation | -       | 120     | 200     | nsec  |
| Absolute Delay        | -       | 1.71    | -       | µsec  |
| Ultimate Rejection    | 40      | 45      | -       | dB    |
| Substrate Material    | -       | Quartz  | -       | -     |
| Ambient Temperature   | -       | 25      | -       | °C    |
| Phase Linearity       | -       | 8.2     | 12.0    | deg   |

\* Custom SAW IF Filters available. Contact Oscilent for assistance.

**PACKAGE OUTLINE (mm)**

**TEST FIXTURE**



L1 = 10nH                      L2 = 15nH  
 C1 = 18pF                      C2 = 24pF  
 Source/Load Impedance = 50 ohms

**Oscilent Corporation** - CALL **949.252.0522**

**Part No.:** 819-IF380.0M-A

17962 Sky Park Circle, Building D, Irvine, CA 92614, USA  
 Fax: 949.252.0599, E-Mail: Sales@Oscilent.com

Crystal Oscillators | Quartz Crystal | TCXO | VCXO | IF SAW Filter | RF SAW Filter | Ceramic Resonator  
 Crystal Filter | Ceramic Filter | SAW Filter / SAW Devices | Site Map